



WATERFLUX 3000 Handbook

Electromagnetic flow sensor

The documentation is only complete when used in combination with the relevant documentation for the signal converter.

All rights reserved. It is prohibited to reproduce this documentation, or any part thereof, without the prior written authorisation of KROHNE Messtechnik GmbH.

Subject to change without notice.

Copyright 2013 by
KROHNE Messtechnik GmbH - Ludwig-Krohne-Str. 5 - 47058 Duisburg (Germany)

1	Safety instructions	5
1.1	Intended use	5
1.2	Certification	5
1.3	Safety instructions from the manufacturer	6
1.3.1	Copyright and data protection	6
1.3.2	Disclaimer	6
1.3.3	Product liability and warranty	7
1.3.4	Information concerning the documentation	7
1.3.5	Warnings and symbols used	8
1.4	Safety instructions for the operator	8
2	Device description	9
2.1	Scope of delivery	9
2.2	Device description	10
2.3	Nameplate	11
3	Installation	12
3.1	General notes on installation	12
3.2	Storage	12
3.3	Transport	12
3.4	Pre-installation requirements	13
3.5	General requirements	13
3.5.1	Vibration	13
3.5.2	Magnetic field	13
3.6	Installation conditions	14
3.6.1	Inlet and outlet	14
3.6.2	T-section	14
3.6.3	Bends	15
3.7	Open discharge	15
3.8	Pump	16
3.9	Control valve	16
3.10	Air venting and vacuum forces	16
3.11	Flange deviation	17
3.12	Mounting position	17
3.13	IP 68	18
3.14	Mounting	18
3.14.1	Torques and pressures	18
3.14.2	Temperatures	20
4	Electrical connections	21
4.1	Safety instructions	21
4.2	Grounding	21
4.3	Connection diagrams	21
5	Service	22

5.1 Spare parts availability	22
5.2 Availability of services	22
5.3 Returning the device to the manufacturer.....	22
5.3.1 General information.....	22
5.3.2 Form (for copying) to accompany a returned device.....	23
5.4 Disposal	23
6 Technical data	24
<hr/>	
6.1 Measuring principle.....	24
6.2 Technical data.....	25
6.3 Legal metrology.....	30
6.3.1 MID Annex MI-001.....	30
6.3.2 Verification to MI-001	32
6.4 Measurement accuracy	33
6.4.1 WATERFLUX 3050, 3100 and 3300 without straight inlet and outlet sections.....	34
6.5 Dimensions and weights	35
6.6 Pressure loss.....	38
7 Notes	39
<hr/>	

1.1 Intended use

**CAUTION!**

Responsibility for the use of the measuring devices with regard to suitability, intended use and corrosion resistance of the used materials against the measured fluid lies solely with the operator.

**INFORMATION!**

The manufacturer is not liable for any damage resulting from improper use or use for other than the intended purpose.

This electromagnetic flowmeter is designed exclusively to measure the flow of drinking water, raw water and irrigation water.

**WARNING!**

If the device is not used according to the operating conditions (refer to chapter Technical data), the intended protection could be affected.

1.2 Certification

CE marking



The device fulfils the statutory requirements of the following EC directives:

- EMC Directive 2004/108/EC in conjunction with EN 61326-1: 2006
- Low Voltage Directive 2006/95/EC in conjunction with EN 61010-1: 2001

The manufacturer certifies successful testing of the product by applying the CE marking.

1.3 Safety instructions from the manufacturer

1.3.1 Copyright and data protection

The contents of this document have been created with great care. Nevertheless, we provide no guarantee that the contents are correct, complete or up-to-date.

The contents and works in this document are subject to copyright. Contributions from third parties are identified as such. Reproduction, processing, dissemination and any type of use beyond what is permitted under copyright requires written authorisation from the respective author and/or the manufacturer.

The manufacturer tries always to observe the copyrights of others, and to draw on works created in-house or works in the public domain.

The collection of personal data (such as names, street addresses or e-mail addresses) in the manufacturer's documents is always on a voluntary basis whenever possible. Whenever feasible, it is always possible to make use of the offerings and services without providing any personal data.

We draw your attention to the fact that data transmission over the Internet (e.g. when communicating by e-mail) may involve gaps in security. It is not possible to protect such data completely against access by third parties.

We hereby expressly prohibit the use of the contact data published as part of our duty to publish an imprint for the purpose of sending us any advertising or informational materials that we have not expressly requested.

1.3.2 Disclaimer

The manufacturer will not be liable for any damage of any kind by using its product, including, but not limited to direct, indirect or incidental and consequential damages.

This disclaimer does not apply in case the manufacturer has acted on purpose or with gross negligence. In the event any applicable law does not allow such limitations on implied warranties or the exclusion of limitation of certain damages, you may, if such law applies to you, not be subject to some or all of the above disclaimer, exclusions or limitations.

Any product purchased from the manufacturer is warranted in accordance with the relevant product documentation and our Terms and Conditions of Sale.

The manufacturer reserves the right to alter the content of its documents, including this disclaimer in any way, at any time, for any reason, without prior notification, and will not be liable in any way for possible consequences of such changes.

1.3.3 Product liability and warranty

The operator shall bear responsibility for the suitability of the device for the specific purpose. The manufacturer accepts no liability for the consequences of misuse by the operator. Improper installation and operation of the devices (systems) will cause the warranty to be void. The respective "Standard Terms and Conditions" which form the basis for the sales contract shall also apply.

1.3.4 Information concerning the documentation

To prevent any injury to the user or damage to the device it is essential that you read the information in this document and observe applicable national standards, safety requirements and accident prevention regulations.

If this document is not in your native language and if you have any problems understanding the text, we advise you to contact your local office for assistance. The manufacturer can not accept responsibility for any damage or injury caused by misunderstanding of the information in this document.

This document is provided to help you establish operating conditions, which will permit safe and efficient use of this device. Special considerations and precautions are also described in the document, which appear in the form of underneath icons.

1.3.5 Warnings and symbols used

Safety warnings are indicated by the following symbols.



DANGER!

This information refers to the immediate danger when working with electricity.



DANGER!

This warning refers to the immediate danger of burns caused by heat or hot surfaces.



DANGER!

These warnings must be observed without fail. Even partial disregard of this warning can lead to serious health problems and even death. There is also the risk of seriously damaging the device or parts of the operator's plant.



WARNING!

Disregarding this safety warning, even if only in part, poses the risk of serious health problems. There is also the risk of damaging the device or parts of the operator's plant.



CAUTION!

Disregarding these instructions can result in damage to the device or to parts of the operator's plant.



INFORMATION!

These instructions contain important information for the handling of the device.



LEGAL NOTICE!

This note contains information on statutory directives and standards.



• **HANDLING**

This symbol designates all instructions for actions to be carried out by the operator in the specified sequence.

➔ **RESULT**

This symbol refers to all important consequences of the previous actions.

1.4 Safety instructions for the operator



WARNING!

In general, devices from the manufacturer may only be installed, commissioned, operated and maintained by properly trained and authorized personnel.

This document is provided to help you establish operating conditions, which will permit safe and efficient use of this device.

**CAUTION!**

The WATERFLUX 3000 can be combined with the mains powered IFC 050, IFC 100 and IFC 300 signal converter and with the battery powered IFC 070 signal converter.

This handbook only describes the combination with the IFC 050, IFC 100 and IFC 300 signal converter. For details on the WATERFLUX 3070 please check the relevant documentation.

2.1 Scope of delivery

**INFORMATION!**

Do a check of the packing list to make sure that you have all the elements given in the order.

**INFORMATION!**

Inspect the cartons carefully for damages or signs of rough handling. Report damage to the carrier and to the local office of the manufacturer.

**INFORMATION!**

The remote version will arrive in two cartons. One carton contains the converter and one carton contains the sensor.

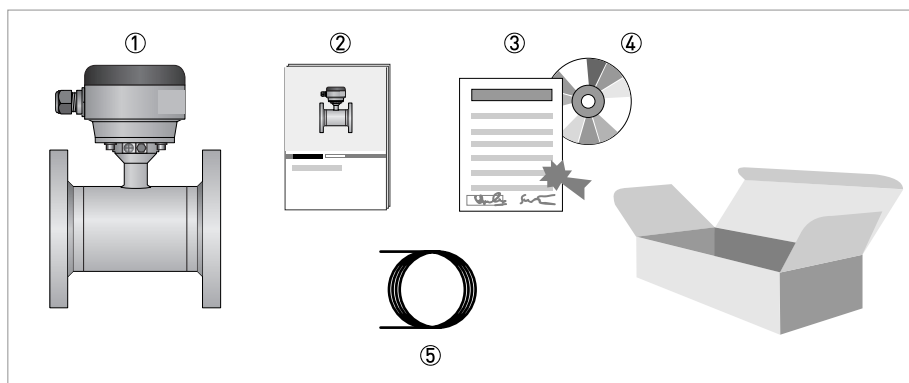


Figure 2-1: Scope of delivery

- ① Ordered flowmeter
- ② Product documentation
- ③ Factory calibration report
- ④ CD-ROM with product documentation in available languages
- ⑤ Signal cable (remote versions only)

**INFORMATION!**

Assembly materials and tools are not part of the delivery. Use the assembly materials and tools in compliance with the applicable occupational health and safety directives.

2.2 Device description

Your measuring device is supplied ready for operation. The factory settings for the operating data have been made in accordance with your order specifications.

The following versions are available:

- Compact version (the signal converter is mounted directly on the measuring sensor)
- Remote version (measuring sensor with connection box and a signal converter in a remote (field) housing)

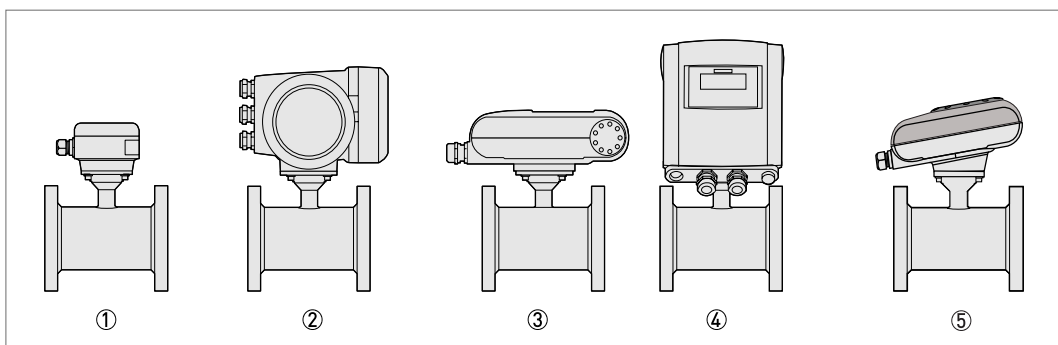


Figure 2-2: Device versions

- ① Remote version
- ② Compact version with IFC 300 signal converter
- ③ Compact version with IFC 100 (0°) signal converter
- ④ Compact version with IFC 100 (45°) signal converter
- ⑤ Compact version with IFC 050 (10°) signal converter

2.3 Nameplate



INFORMATION!

Check the device nameplate to ensure that the device is delivered according to your order. Additional information (a.o correct supply voltage), can be found in the documentation of the signal converter.

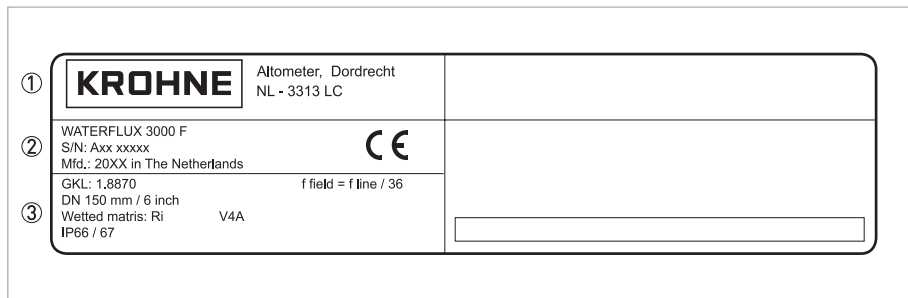


Figure 2-3: Example of nameplate

- ① Name and address of manufacturer
- ② Type designation of the flowmeter and CE sign with number(s) of notified body / bodies
- ③ Meter constant, diameter, wetted materials, protection class

3.1 General notes on installation



INFORMATION!

Inspect the cartons carefully for damages or signs of rough handling. Report damage to the carrier and to the local office of the manufacturer.



INFORMATION!

Do a check of the packing list to make sure that you have all the elements given in the order.



INFORMATION!

Look at the device nameplate to ensure that the device is delivered according to your order. Check for the correct supply voltage printed on the nameplate.

3.2 Storage

- Store the device in a dry and dust-free location.
- Avoid lasting direct exposure to the sun.
- Store the device in its original packaging.
- Storage temperature: -50 ...+70°C / -58...+158°F

3.3 Transport

Signal converter

- No special requirements.

Compact version

- Do not lift the device by the signal converter housing.
- Do not use lifting chains.
- To transport flange devices, use lifting straps. Wrap these around both process connections.

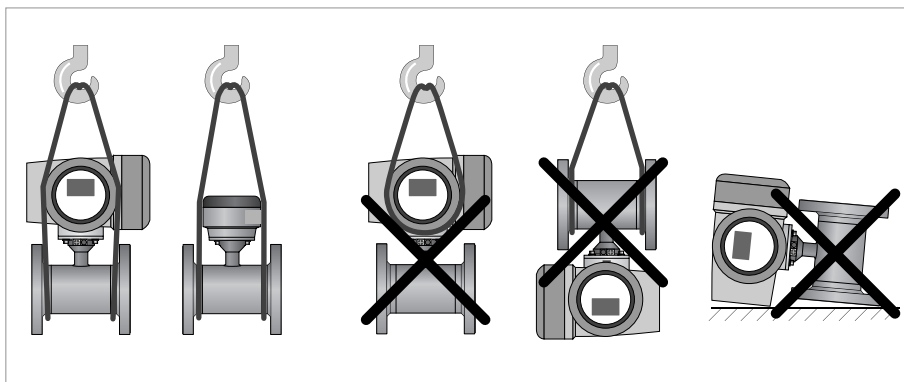


Figure 3-1: Transport

3.4 Pre-installation requirements

Make sure that you have all necessary tools available:

- Allen key (4 mm)
- Small screwdriver
- Wrench for cable glands
- Wrench for wall mounting bracket (remote version only)
- Torque wrench for installing flowmeter in pipeline

3.5 General requirements



INFORMATION!

The following precautions must be taken to ensure reliable installation.

- Make sure that there is adequate space to the sides.
- Protect the signal converter from direct sunlight and install a sun shade if necessary.
- Signal converters installed in control cabinets require adequate cooling, e.g. by fan or heat exchanger.
- Do not expose the signal converter to intense vibration. The flowmeters are tested for a vibration level in accordance with IEC 68-2-64.

3.5.1 Vibration

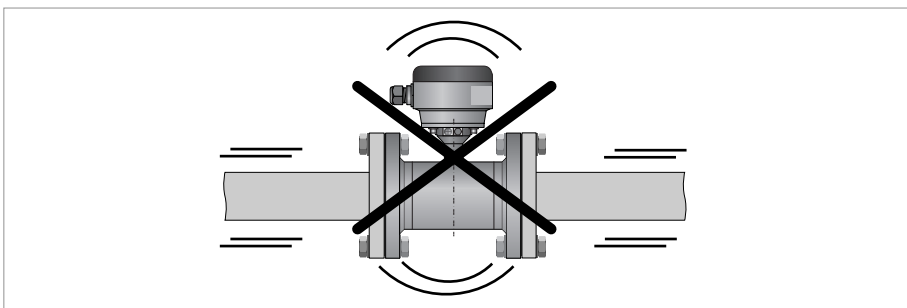


Figure 3-2: Avoid vibrations

3.5.2 Magnetic field

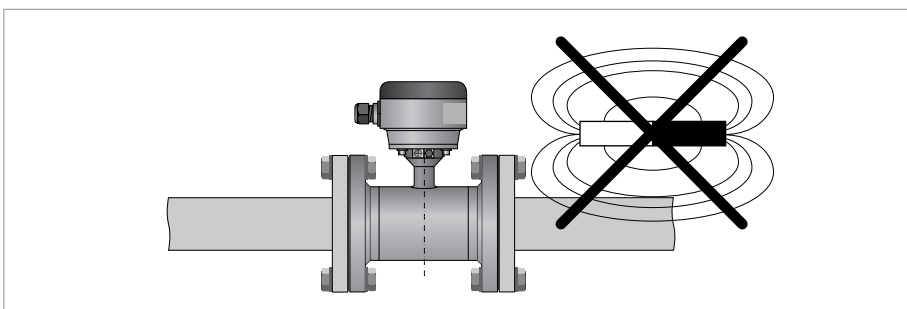


Figure 3-3: Avoid magnetic fields

3.6 Installation conditions

3.6.1 Inlet and outlet

DN 25...300

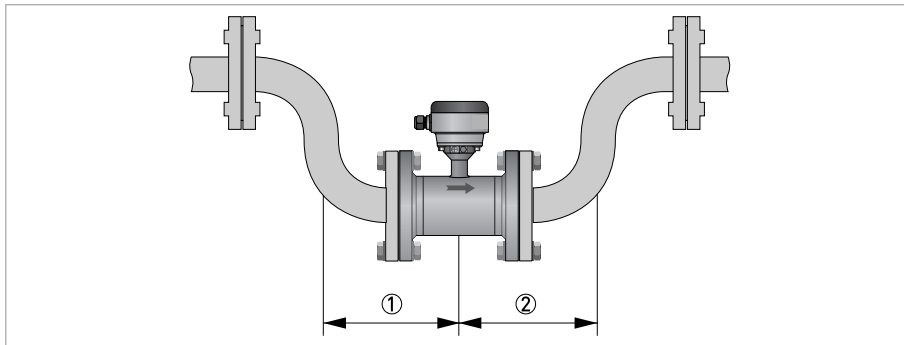


Figure 3-4: Recommended inlet and outlet

- ① Inlet: ≥ 0 DN
- ② Outlet: ≥ 0 DN

DN350...600

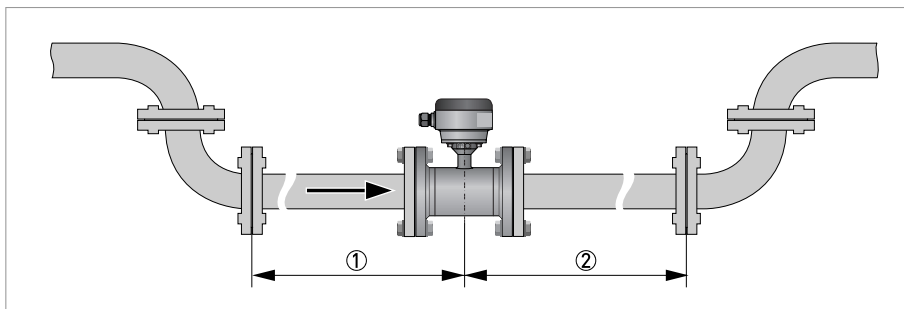


Figure 3-5: Minimal inlet and outlet

- ① Inlet: ≥ 3 DN
- ② Outlet: ≥ 1 DN

3.6.2 T-section

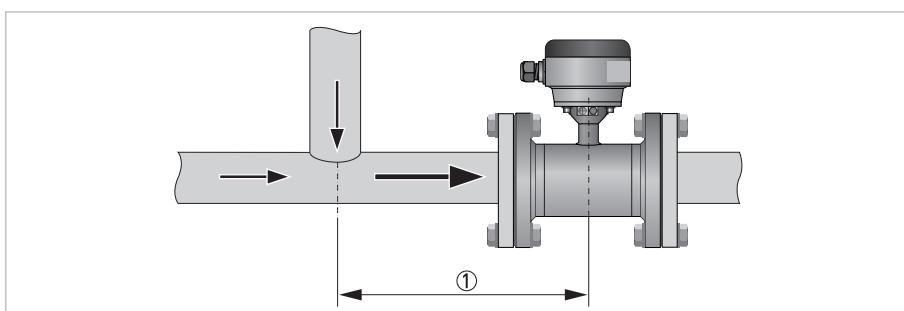


Figure 3-6: Distance behind a T-section

- ① DN25...300: 0 DN
& DN350...600: ≥ 3 DN

3.6.3 Bends

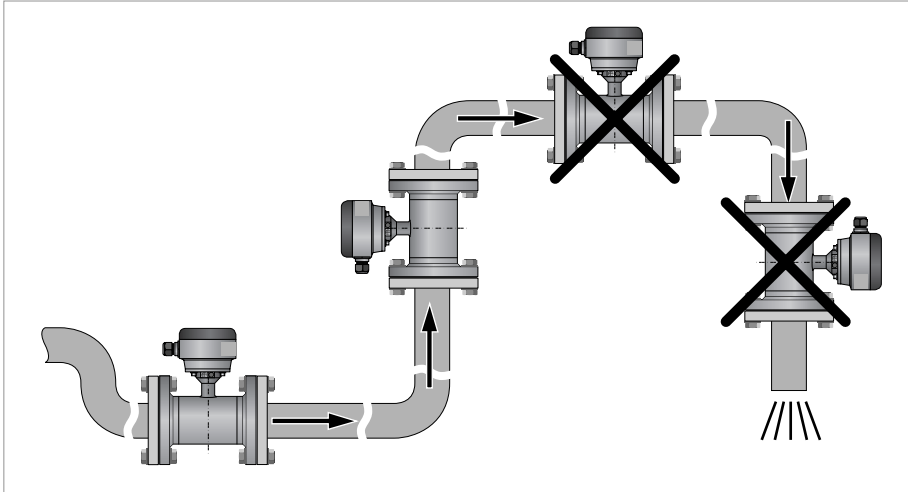


Figure 3-7: Installation in bending pipes

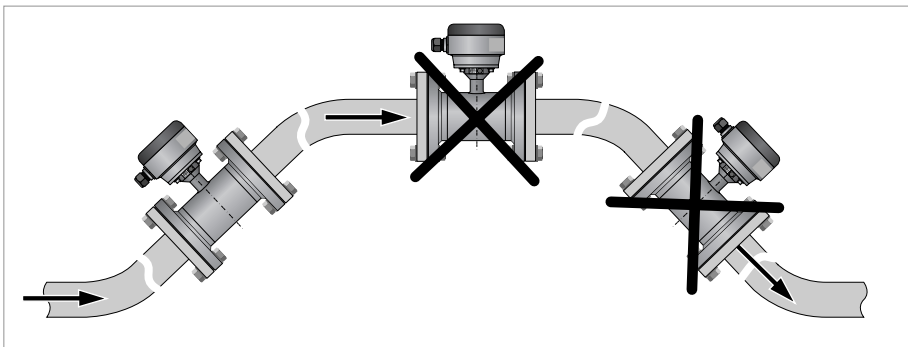


Figure 3-8: Installation in bending pipes



CAUTION!
 Avoid draining or partial filling of the flow sensor

3.7 Open discharge

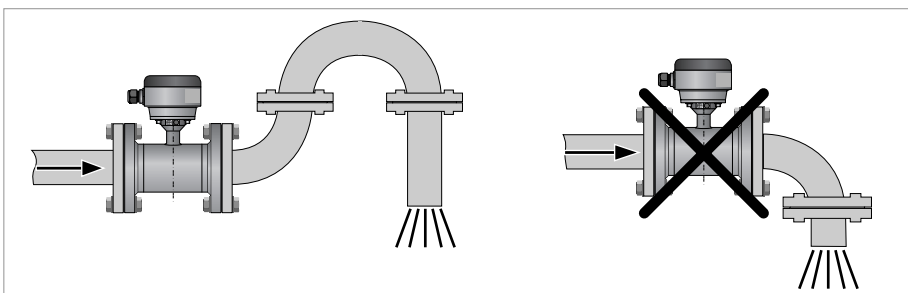


Figure 3-9: Installation in front of an open discharge

3.8 Pump

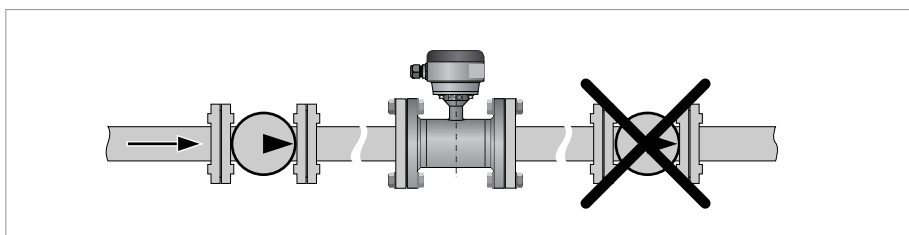


Figure 3-10: Installation behind a pump

3.9 Control valve

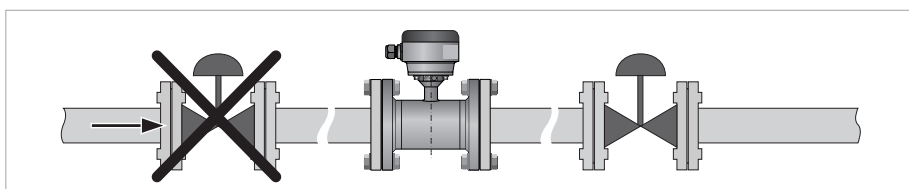


Figure 3-11: Installation in front of a control valve

3.10 Air venting and vacuum forces

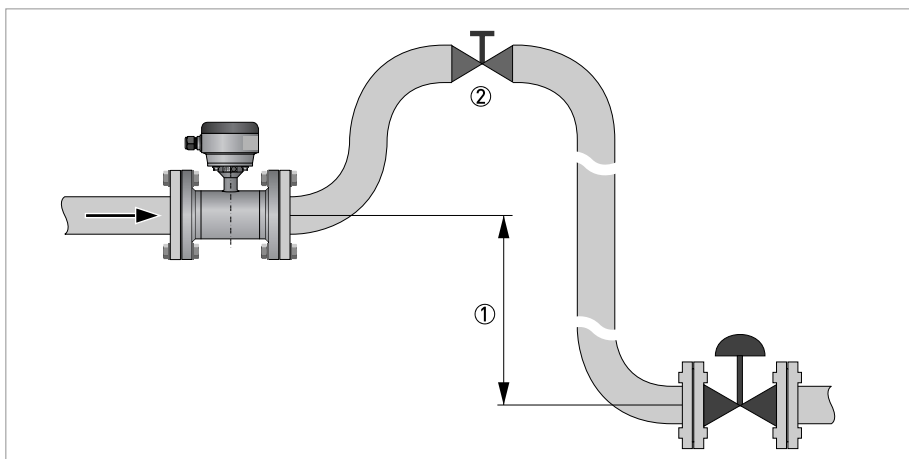


Figure 3-12: Air venting

- ① ≥ 5 m
- ② Air ventilation point

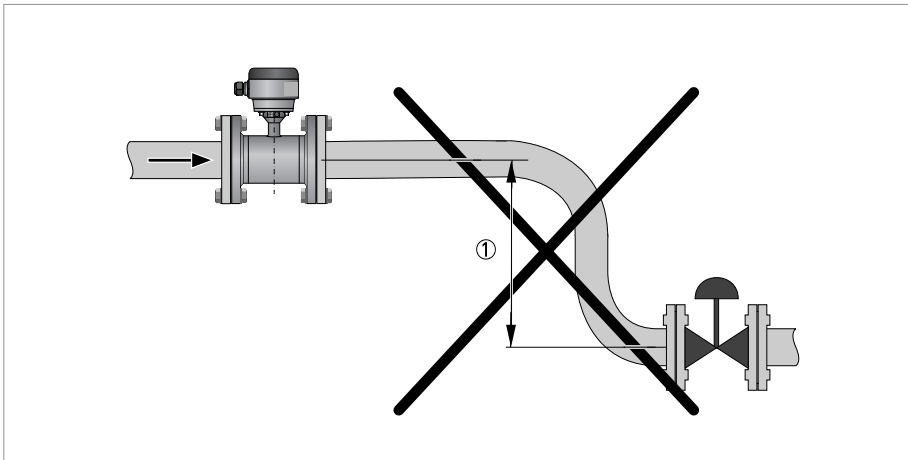


Figure 3-13: Vacuum

① ≥ 5 m

3.11 Flange deviation



CAUTION!

Max. permissible deviation of pipe flange faces:
 $L_{max} - L_{min} \leq 0.5 \text{ mm} / 0.02''$

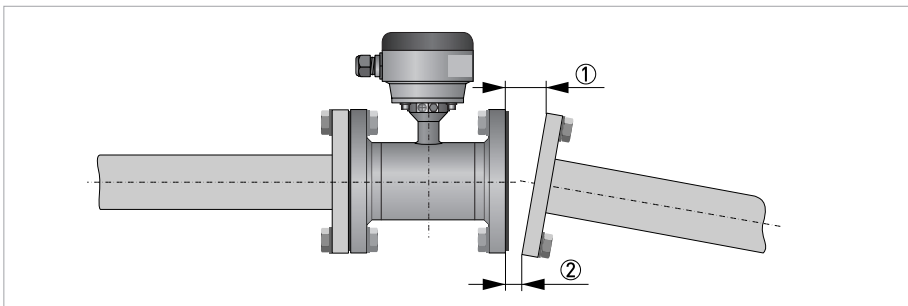


Figure 3-14: Flange deviation

① L_{max}

② L_{min}

3.12 Mounting position

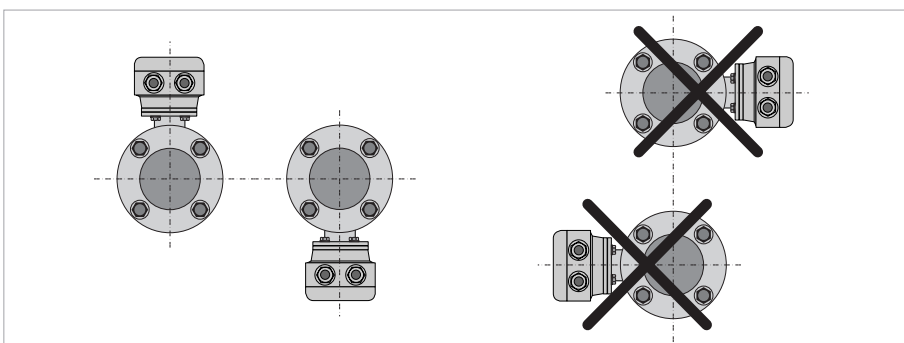


Figure 3-15: Mounting position

3.13 IP 68

The WATERFLUX 3000 flow sensor is rated IP68 (NEMA 4X/6P). It is suitable for submersion in flooded measurement chambers and for subsurface installation.

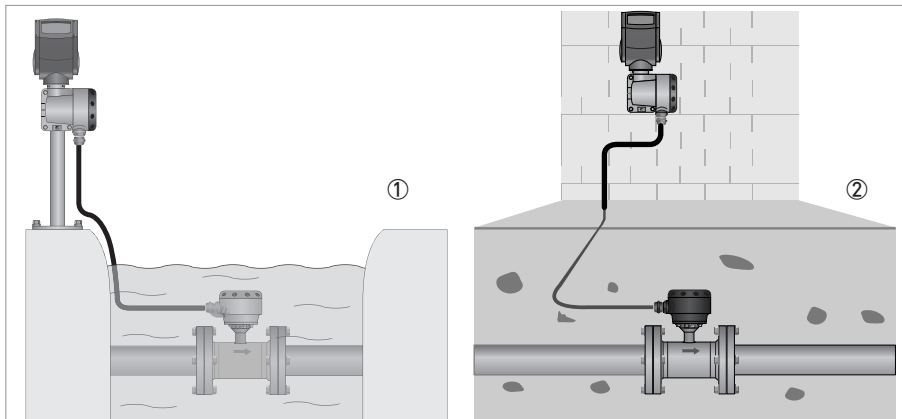


Figure 3-16: IP68 versions

- ① Submersible
- ② Buried

3.14 Mounting

3.14.1 Torques and pressures

The maximum pressure and torques values for the flowmeter are theoretical and calculated for optimum conditions and use with carbon steel flanges.

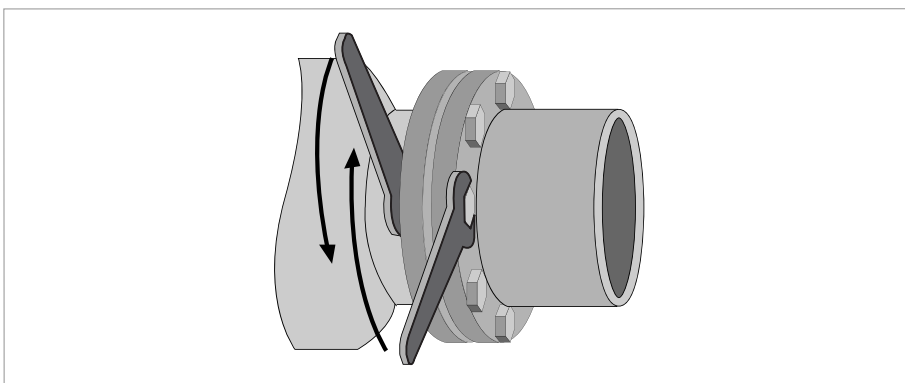


Figure 3-17: Tightening of bolts



Tightening of bolts

- Always tighten the bolts uniformly and in diagonally opposite sequence.
- Do not exceed the maximum torque value.
- Step 1: Apply approx. 50% of max. torque given in table.
- Step 2: Apply approx. 80% of max. torque given in table.
- Step 3: Apply 100% of max. torque given in table.

Nominal size DN [mm]	Pressure rating	Bolts	Max. torque [Nm] ^①
25	PN 16	4 x M 12	12
40	PN 16	4 x M 16	30
50	PN 16	4 x M 16	36
65	PN 16	8 x M 16	50
80	PN 16	8 x M 16	30
100	PN 16	8 x M 16	32
125	PN 16	8 x M 16	40
150	PN 10	8 x M 20	55
150	PN 16	8 x M 20	55
200	PN 10	8 x M 20	85
200	PN 16	12 x M 20	57
250	PN 10	12 x M 20	80
250	PN 16	12 x M 24	100
300	PN 10	12 x M 20	95
300	PN 16	12 x M 24	136
350	PN 10	16 x M 20	96
400	PN 10	16 x M 24	130
450	PN 10	20 x M 24	116
500	PN 10	20 x M 24	134
600	PN 10	20 x M 27	173

① The torque values also depend on variables (temperature, bolt material, gasket material, lubricants, etc.) outside the control of the manufacturer. Therefore these values should be regarded as indicative only.

Nominal size [inches]	Flange class [lb]	Bolts	Max. torque [lbs.ft] ^①
1	150	4 x 1/2"	4
1½	150	4 x 1/2"	11
2	150	4 x 5/8"	18
2.5	150	8 x 5/8"	27
3	150	4 x 5/8"	33
4	150	8 x 5/8"	22
5	150	8 x 3/4"	33
6	150	8 x 3/4"	48
8	150	8 x 3/4"	66
10	150	12 x 7/8"	74
12	150	12 x 7/8"	106
14	150 ②	12 x 1"	87
16	150 ②	16 x 1"	84
18	150 ②	16 x 1 1/8"	131
20	150 ②	20 x 1 1/8"	118
24	150 ②	20 x 1 1/4"	166

① The torque values also depend on variables (temperature, bolt material, gasket material, lubricants, etc.) outside the control of the manufacturer. Therefore these values should be regarded as indicative only.

② No full rating (max. 145 psi).

3.14.2 Temperatures



CAUTION!

Protect the device from direct sunlight.

Temperature range	Process [°C]		Ambient [°C]		Process [°F]		Ambient [°F]	
	min.	max.	min.	max.	min.	max.	min.	max.
With aluminium converter housing								
Compact and remote versions	-5	70	-40	65	23	158	-40	149
With stainless steel converter housing								
Compact and remote versions	-5	70	-40	55	23	158	-40	149

4.1 Safety instructions

**DANGER!**

All work on the electrical connections may only be carried out with the power disconnected. Take note of the voltage data on the nameplate!

**DANGER!**

Observe the national regulations for electrical installations!

**WARNING!**

Observe without fail the local occupational health and safety regulations. Any work done on the electrical components of the measuring device may only be carried out by properly trained specialists.

**INFORMATION!**

Look at the device nameplate to ensure that the device is delivered according to your order. Check for the correct supply voltage printed on the nameplate.

4.2 Grounding

**DANGER!**

The device must be grounded in accordance with regulations in order to protect personnel against electric shocks.

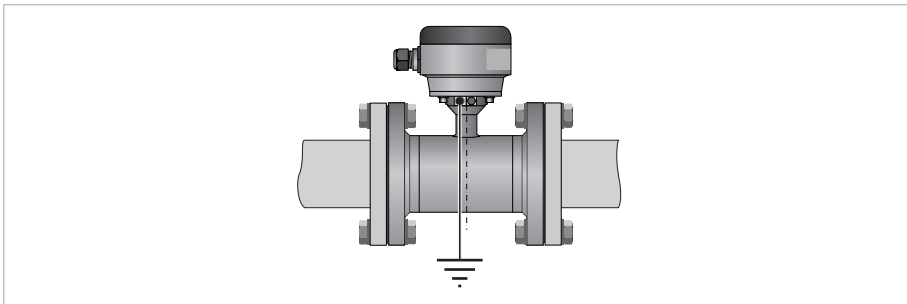


Figure 4-1: Grounding

**INFORMATION!**

Grounding without grounding rings. The flow sensor is equipped with a reference electrode.

4.3 Connection diagrams

**INFORMATION!**

For the connection diagrams please refer to the documentation of the applicable signal converter.

5.1 Spare parts availability

The manufacturer adheres to the basic principle that functionally adequate spare parts for each device or each important accessory part will be kept available for a period of 3 years after delivery of the last production run for the device.

This regulation only applies to spare parts which are subject to wear and tear under normal operating conditions.

5.2 Availability of services

The manufacturer offers a range of services to support the customer after expiration of the warranty. These include repair, maintenance, technical support and training.



INFORMATION!

For more precise information, please contact your local sales office.

5.3 Returning the device to the manufacturer

5.3.1 General information

This device has been carefully manufactured and tested. If installed and operated in accordance with these operating instructions, it will rarely present any problems.



CAUTION!

Should you nevertheless need to return a device for inspection or repair, please pay strict attention to the following points:

- *Due to statutory regulations on environmental protection and safeguarding the health and safety of our personnel, manufacturer may only handle, test and repair returned devices that have been in contact with products without risk to personnel and environment.*
- *This means that the manufacturer can only service this device if it is accompanied by the following certificate (see next section) confirming that the device is safe to handle.*



CAUTION!

If the device has been operated with toxic, caustic, flammable or water-endangering products, you are kindly requested:

- *to check and ensure, if necessary by rinsing or neutralising, that all cavities are free from such dangerous substances,*
- *to enclose a certificate with the device confirming that it is safe to handle and stating the product used.*

5.3.2 Form (for copying) to accompany a returned device

Company:		Address:	
Department:		Name:	
Tel. no.:		Fax no.:	
Manufacturer's order no. or serial no.:			
The device has been operated with the following medium:			
This medium is:	water-hazardous		
	toxic		
	caustic		
	flammable		
	We checked that all cavities in the device are free from such substances.		
	We have flushed out and neutralized all cavities in the device.		
We hereby confirm that there is no risk to persons or the environment through any residual media contained in the device when it is returned.			
Date:		Signature:	
Stamp:			

5.4 Disposal



CAUTION!

Disposal must be carried out in accordance with legislation applicable in your country.

6.1 Measuring principle

An electrically conductive fluid flows inside an electrically insulated pipe through a magnetic field. This magnetic field is generated by a current, flowing through a pair of field coils. Inside of the fluid, a voltage U is generated:

$$U = v * k * B * D$$

in which:

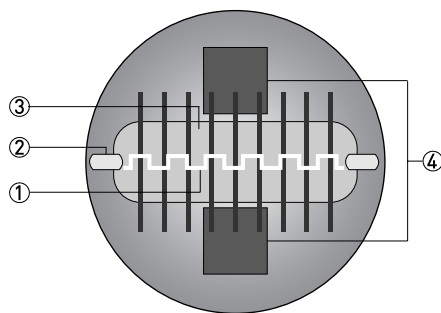
v = mean flow velocity

k = factor correcting for geometry

B = magnetic field strength

D = inner diameter of flow meter

The signal voltage U is picked off by electrodes and is proportional to the mean flow velocity v and thus the flow rate q . A signal converter is used to amplify the signal voltage, filter it and convert it into signals for totalising, recording and output processing.



- ① Induced voltage (proportional to flow velocity)
- ② Electrodes
- ③ Magnetic field
- ④ Field coils

Rectangular cross section

The minimal height of the measuring tube decreases the distance between the field coils (4), resulting in a stronger and more homogeneous magnetic field (3). In addition, the mean flow velocity v increases due to the rectangular and reduced cross section. The large electrode spacing (D) and the increased flow velocity results in a higher magnetic signal voltage, also in the presence of a low flow rate.

6.2 Technical data



INFORMATION!

- The following data is provided for general applications. If you require data that is more relevant to your specific application, please contact us or your local sales office.
- Additional information (certificates, special tools, software,...) and complete product documentation can be downloaded free of charge from the website (Download Center).

Measuring system

Measuring principle	Faraday's law of induction
Application range	Electrically conductive fluids
Measured value	
Primary measured value	Flow velocity
Secondary measured value	Volume flow

Design

Features	Unique rectangular flow tube design providing improved flow profile and signal to noise ratio resulting in highest accuracy and large turndown ratio
	Rilsan® polymer coated flow tube approved for drinking water
	No internal or moving parts
	Built-in reference electrode
Modular construction	The measurement system consists of a flow sensor and a signal converter. It is available as compact and as separate version. More information about the signal converter can be found in the relevant documentation.
Compact version	With IFC 050 converter: WATERFLUX 3050 C
	With IFC 100 converter: WATERFLUX 3100 C
	With IFC 300 converter: WATERFLUX 3300 C
	With IFC 070 converter: WATERFLUX 3070 C (For detailed information refer to the documentation of the WATERFLUX 3070)
Remote version	In wall (W) mount version with IFC 050 converter: WATERFLUX 3050 W
	In wall (W) mount version with IFC 100 converter: WATERFLUX 3100 W
	In field (F), wall (W) or rack (R) mount version with IFC 300 converter: WATERFLUX 3300 F, W or R
	In field (F) version with IFC 070 converter: WATERFLUX 3070 F (For detailed information refer to the documentation of the WATERFLUX 3070)
Nominal diameter	DN25...600 / 1...24" ; Rectangular bore

Measuring accuracy

Reference conditions	Medium: water
	Temperature: +10...+30°C / +50...+86°F
	Operating pressure: 1 bar / 14,5 psi
	Inlet section ≥ 3 DN; outlet section ≥ 1 DN
	Electrical conductivity: $\geq 300 \mu\text{S} / \text{cm}$
Maximum measuring error	IFC 050: 0.5% of the measured value above 0.5 m/s, below 0.5 m/s, deviation ± 2.5 mm/s
	DN25...300; IFC 100: down to 0.3% of the measured value ± 0.5 mm/s
	DN25...300; IFC 300: down to 0.2% of the measured value ± 0.5 mm/s
	DN350...600; IFC 100: down to 0.5% of the measured value ± 1 mm/s
	DN350...600; IFC 300: down to 0.4% of the measured value ± 1 mm/s
	The maximum measuring error depends on the installation conditions. For detailed information refer to <i>Measurement accuracy</i> on page 33.
Repeatability	DN25...300 ; $\pm 0.1\%$ ($v > 0.5\text{m/s} / 1.5 \text{ft/s}$)
	DN350...600; $\pm 0.2\%$ ($v > 0.5\text{m/s} / 1.5 \text{ft/s}$)
Calibration / Verification	Standard:
	2 point calibration by a direct volume comparison.
	Option (for DN25...300):
	Verification to Measurement Instrument Directive (MID), Annex MI-001. Standard: Verification at Ratio (Q3/Q1) = 80, Q3 ≥ 2 m/s Optional: Verification at Ratio (Q3/Q1) > 80
MID Annex MI-001 (Directive 2004/22/EC)	Only in combination with the IFC 300 signal converter
	EC-Type examination certificate to MID Annex MI-001
	Only in combination with the IFC 300 signal converter
	Diameter range: DN25...300
	Minimum straight inlet flow: 0 DN
	Minimum straight outlet flow: 0 DN
	Forward and reverse (bi-directional) flow
	Orientation: any
	Ratio (Q3/Q1) upto 400
	Liquid temperature range: +0.1°C / 50°C
	Maximum operating pressure: \leq DN200: 16 bar, \geq DN250: 10 bar
For detailed information refer to <i>Legal metrology</i> on page 30.	

Operating conditions

Temperature	
Process temperature	-5...+70°C / +23...+158°F
Ambient temperature	Standard (with aluminium converter housing):
	-40...+65°C / -40...+149°F
	Protect electronics against self-heating at ambient temperatures above 55°C / 130°F
	Option (with stainless steel converter housing):
	-40...+55°C / -40...+130°F
Storage temperature	-50...+70°C / -58...+158°F
Measurement range	-12...+12 m/s / -40...+40 ft/s
Pressure	
Operating pressure	Up to 16 bar / 232 psi for DN25...300 Up to 10 bar / 145 psi for DN350...600
Vacuum load	0 mbar / 0 psi absolute
Pressure loss	For detailed information refer to <i>Pressure loss</i> on page 38.
Chemical properties	
Physical condition	Water: drinking water, raw water, irrigation water. For salt water please contact the factory.
Electrical conductivity	≥ 20 µS/cm

Installation conditions

Installation	Assure that the flow sensor is always fully filled.
	For detailed information refer to <i>Installation</i> on page 12.
Flow direction	Forward and reverse
	Arrow on flow sensor indicates forward flow direction.
Inlet run	DN25...300: ≥ 0 DN DN350...600: ≥ 3 DN
	For detailed information refer to <i>Measurement accuracy</i> on page 33.
Outlet run	DN25...300: ≥ 0 DN DN350...600: ≥ 1 DN
	For detailed information refer to <i>Measurement accuracy</i> on page 33.
Dimensions and weights	For detailed information refer to <i>Dimensions and weights</i> on page 35.

Materials

Sensor housing	Sheet steel
Measuring tube	DN25...200: metallic alloy
	DN250...600: stainless steel
Flanges	DN25...600: steel 1.0460 / 1.0038 (RSt37-2)
	DN25...DN200; Wetted parts nickel plated
Liner	Rilsan®
Protective coating	On exterior of the meter: flanges, housing, signal converter (compact version) and/or connection box (field version)
	Standard: polyurethane coating
	Option: subsoil coating
Connection box	Only for remote versions
	Standard: stainless steel
Measuring electrodes	Standard: stainless steel 1.4301 / AISI 304
	Option: Hastelloy® C
Reference electrode	Standard: stainless steel 1.4301 / AISI 304
	Option: Hastelloy® C
Grounding rings	Grounding rings can be omitted when the reference electrode is used.

Process connections

Flange	
EN 1092-1	Standard:
	DN25...200: PN 16
	DN250...600: PN 10
	Optional:
	DN250...600: PN16 (DN350...600: 10 bar rated)
ASME	1" ... 12": 150 lb RF (232 psi / 16 bar rated) 14" ... 24": 150 lb (145 psi / 10 bar rated)
JIS	DN25...300 / 1" ... 12": 10 K DN350...600 / 14" ... 24": 7.5 K
AS 4087	DN25...600 / 1" ... 24": Class 16: on request (DN350...600 / 14" ... 24": 10 bar rated)
AS 2129	DN25...600 / 1" ... 24": Table D & E: on request (DN350...600 / 14" ... 24": 10 bar rated)
	For detailed information of nominal flange pressure and nominal diameter refer to <i>Dimensions and weights</i> on page 35.
Other connections	
Thread	DN25: G1" thread connection on request
	DN40: G1.5" & G2" thread connection on request
Other	Weld-on, clamp, oval flanges: on request

Electrical connections

	For detailed information refer to the documentation of the relevant signal converter.
Signal cable (remote versions only)	
Type A (DS)	In combination with the IFC 050, IFC 100 and the IFC 300 signal converter Standard cable, double shielded. Max. length: 600 m / 1950 ft (depends on electrical conductivity and measuring sensor). For detailed information refer to the documentation of the relevant signal converter.
Type B (BTS)	Only in combination with the IFC 300 signal converter Optional cable, triple shielded. Max. length: 600 m / 1950 ft (depends on electrical conductivity and measuring sensor). For detailed information refer to the documentation of the relevant signal converter.
I/O	For full details of I/O options, including data streams and protocols, see technical datasheet of the relevant converter.

Approvals and certificates

CE	
	This device fulfills the statutory requirements of the EC directives. The manufacturer certifies successful testing of the product by applying the CE mark.
Electromagnetic compatibility	Directive: 2004/108/EC Harmonized standard: EN 61326-1 : 2006
Pressure Equipment Directive	Not applicable: networks for the supply, distribution and discharge of water and associated equipment are excluded from the scope of this directive.
Low voltage directive	Directive: 2006/95/EC Harmonized standard: EN 61010 : 2001
Other approvals and standards	
Custody transfer	Only in combination with the IFC 300 signal converter.
Only for DN25...300	MID Annex MI-001 type examination certificate
	Conformity with ISO 4064 and EN 14154
	Innerstaatliche Bauartzulassung als Kältezähler (For Germany, Switzerland and Austria)
Drinking water approvals	ACS, DVGW W270, NSF / ANSI Standard 61, TZW, WRAS
Protection category acc. to IEC 529 / EN 60529	Standard: IP66 / 67 (NEMA 4/4X/6)
	Option: IP68 factory (NEMA 6P)
	IP68 field (NEMA 6P)
	IP68 is only available for separate design
Shock test	IEC 68-2-27 30 g for 18 ms
	Vibration test

6.3 Legal metrology



INFORMATION!

MID Annex MI-001 is **only** available in combination with the IFC 300 signal converter!

6.3.1 MID Annex MI-001

All new designs of water meters that are to be used for legal purposes in Europe require certification under the Measurement Instrument Directive (MID) 2004/22/EC.

Annex MI-001 of the MID applies to water meters intended for the measurement of volume of clean, cold or heated water in residential, commercial, and light industrial use. An EC-type examination certificate is valid in all countries of the European Union.

The has an EC-type examination certificate and can be verified to the MID Annex MI-001 for water meters with diameter DN25...DN300. The conformity assessment procedure followed for the is Module B (Type Examination) and Module D (Quality Assurance of the Production Process).

The maximum permissible error on volumes delivered between Q2 (transitional) flow rate and Q4 (overload) flow rate is $\pm 2\%$.

The maximum permissible error on volumes delivered between Q1 (minimum) flow rate and Q2 (transitional) flow rate is $\pm 5\%$.

$$Q1 = Q3 / R$$

$$Q2 = Q1 * 1.6$$

$$Q3 = Q1 * R$$

$$Q4 = Q3 * 1.25$$

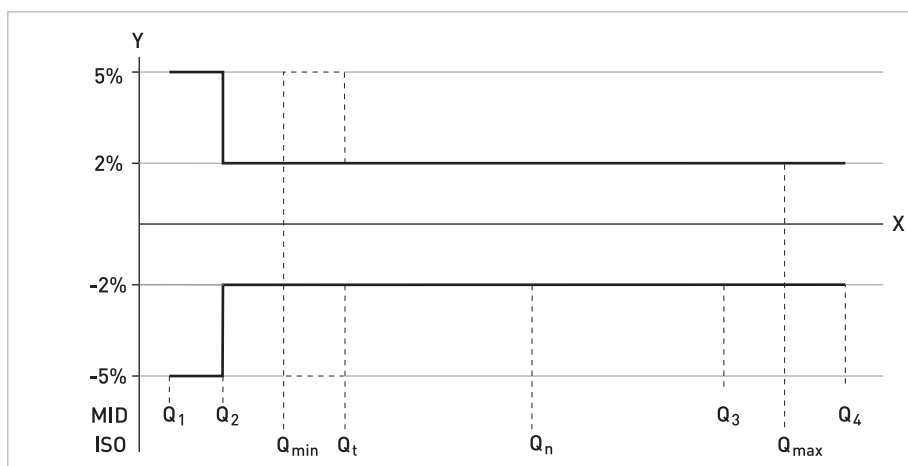


Figure 6-1: ISO flow rates added to figure as comparison towards MID

X: Flow rate

Y [%]: Maximum measuring error

MI-001 certified flow characteristics

DN	Span (R) Q3 / Q1	Flow rate [m ³ /h]			
		Minimum Q1	Transitional Q2	Permanent Q3	Overload Q4
25	400	0.025	0.040	10	12.5
25	400	0.040	0.064	16	20.0
40	400	0.063	0.100	25	31.3
40	400	0.100	0.160	40	50.0
50	400	0.100	0.160	40	50.0
50	400	0.158	0.252	63	78.8
65	400	0.158	0.252	63	78.8
65	400	0.250	0.400	100	125.0
80	400	0.250	0.400	100	125.0
80	400	0.400	0.640	160	200.0
100	400	0.400	0.640	160	200.0
100	400	0.625	1.000	250	312.5
125	400	0.625	1.000	250	312.5
125	400	1.000	1.600	400	500.0
150	400	1.000	1.600	400	500.0
150	400	1.575	2.520	630	787.5
200	400	1.575	2.520	630	787.5
200	315	2.540	4.060	800	1000.0
250	400	2.500	4.000	1000	1250.0
300	400	4.000	6.400	1600	2000.0

6.3.2 Verification to MI-001

**INFORMATION!**

Verification to MI-001 and OIML R49, standard at the following values for R, Q1, Q2 and Q3.
Verification at other values for R and Q3 available on request.

Verification to MI-001

DN	Span (R)	Flow rate [m ³ /h]		
		Q1	Q2	Q3
25	80	0.050	0.080	4
32	80	0.125	0.200	10
40	80	0.125	0.200	10
50	80	0.200	0.320	16
65	80	0.313	0.500	25
80	80	0.500	0.800	40
100	80	0.788	1.260	63
125	80	1.250	2.000	100
150	80	2.000	3.200	160
200	80	3.125	5.000	250
250	80	5.000	8.000	400
300	80	7.875	12.600	630

6.4 Measurement accuracy

Each flowmeter is standard wet calibrated under reference conditions by direct volume comparison. The performance of the flowmeter is defined and documented in an individual water meter calibration certificate.

Reference conditions

- Medium: water
- Temperature: +10...30°C / +50...86°F
- Pressure: 1 bar / 14.5 psi
- Inlet section: ≥ 3 DN
- Outlet section: ≥ 1 DN
- Electrical conductivity: ≥ 300 μS/cm

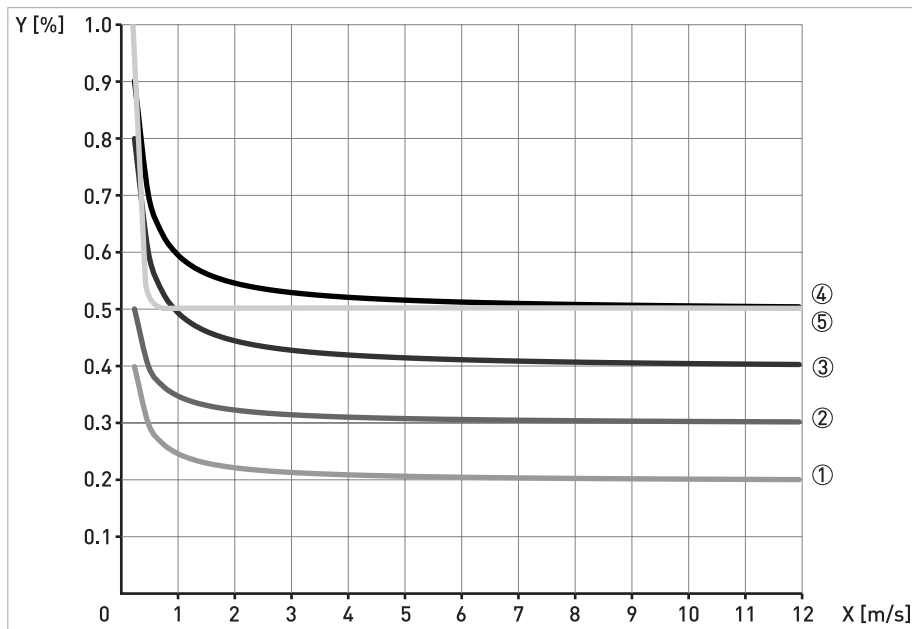


Figure 6-2: Flow velocity vs. accuracy
X [m/s]: flow velocity
Y [%]: deviation from the actual measured value

Sensor diameter	Converter type	Accuracy	Curve
DN25...600 / 1"..."24"	IFC 050	0.5% of mv above 0,5 m/s below 0,5 m/s, deviation ± 2.5 mm/s	⑤

Sensor diameter	Converter type	Accuracy	Curve
DN350...600 / 14"..."24"	IFC 100	0.5% of mv +1 mm/s	④
DN25...300 / 1"..."12"	IFC 100	0.3% of mv +0.5 mm/s	②
DN350...600 / 14"..."24"	IFC 300 + IFC 070	0.4% of mv +1 mm/s	③
DN25...300 / 1"..."12"	IFC 300 + IFC 070	0.2% of mv +0.5 mm/s	①

6.4.1 WATERFLUX 3050, 3100 and 3300 without straight inlet and outlet sections

Disturbed flow profiles, such as those that occur behind elbows, tee pieces, reducers or valves installed in front of a flowmeter, affect the measuring performance. Therefore it is usually recommended to fit a straight inlet length in front of and straight outlet length behind a flowmeter.

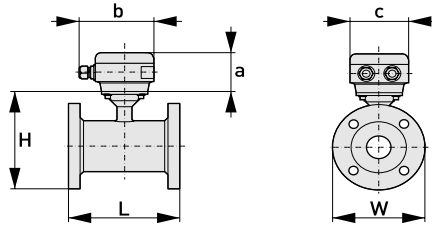
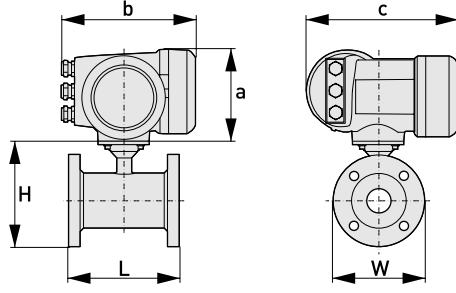
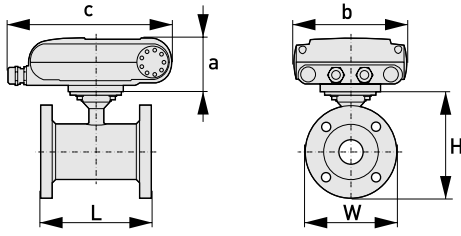
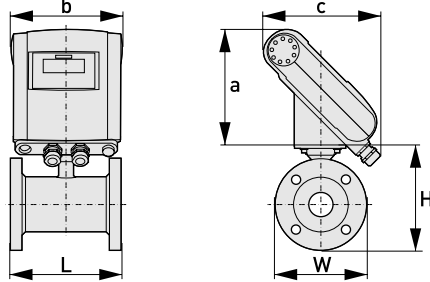
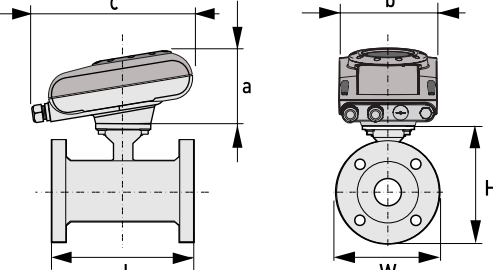
As a result of the unique WATERFLUX flow sensor design, whereby the mean flow velocity and flow profile are optimised within the rectangular and reduced cross section, the additional uncertainty for upstream disturbances are drastically reduced. Therefore the requirements for straight length and in front of and behind a meter are reduced.

The NMI has performed tests with various flow and swirl disturbers according to ISO 4064 and EN 14154. Based on these results the WATERFLUX 3300 has received a

EC-type certificate according MID Annex MI-001

- In combination with the IFC 300 signal converter
- Diameter range DN25...300
- Minimum straight inlet and outlet pipe length of 0 DN
- Bi-directional flow

6.5 Dimensions and weights

<p>Remote version</p>		<p>a = 88 mm / 3.5" b = 139 mm / 5.5" ① c = 106 mm / 4.2" Total height = H + a</p>
<p>Compact version with IFC 300</p>		<p>a = 155 mm / 6.1" b = 230 mm / 9.1" ① c = 260 mm / 10.2" Total height = H + a</p>
<p>Compact version with IFC 100 (0°)</p>		<p>a = 82 mm / 3.2" b = 161 mm / 6.3" c = 257 mm / 10.1" ① Total height = H + a</p>
<p>Compact version with IFC 100 (45°)</p>		<p>a = 186 mm / 7.3" b = 161 mm / 6.3" c = 184 mm / 7.3" ① Total height = H + a</p>
<p>Compact version with IFC 050 (10°)</p>		<p>a = 101 mm / 3.98" b = 157 mm / 6.18" c = 260 mm / 10.24" ① Total height = H + a</p>

① The value may vary depending on the used cable glands.

**INFORMATION!**

- All data given in the following tables are based on standard versions of the flow sensor only.
- Especially for smaller nominal sizes of the flow sensor, the signal converter can be bigger than the flow sensor.
- Note that for other pressure ratings than mentioned, the dimensions may be different.
- For full information on signal converter dimensions see relevant documentation.

EN 1092-1

Nominal size DN [mm]	Dimensions [mm]			Approx. weight [kg]
	L	H	W	
25	150	151	115	5
40	150	166	150	6
50	200	186	165	13
65	200	200	185	11
80	200	209	200	17
100	250	237	220	17
125	250	266	250	21
150	300	300	285	29
200	350	361	340	36
250	400	408	395	50
300	500	458	445	60
350	500	510	505	85
400	600	568	565	110
450	600	618	615	125
500	600	671	670	120
600	600	781	780	180

ASME B16.5 / 150 lb

Nominal size [inches]	Dimensions [inches]			Approx. weight [lb]
	L	H	W	
1	5.91	5.83	4.3	18
1½	5.91	6	4.9	21
2	7.87	7.05	5.9	34
3	7.87	8.03	7.5	42
4	9.84	9.49	9.0	56
5	9.84	10.55	10.0	65
6	11.81	11.69	11.0	80
8	13.78	14.25	13.5	100
10	15.75	16.3	16.0	148
12	19.7	18.8	19.0	210
14	27.6	20.7	21	290
16	31.5	22.9	23.5	370
18	31.5	24.7	25	420
20	31.5	27	27.5	500
24	31.5	31.4	32	680

6.6 Pressure loss

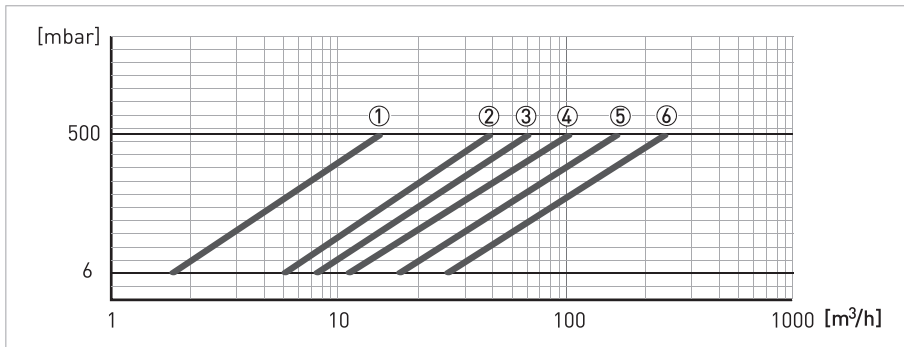


Figure 6-3: Pressure loss between 1 m/s and 9 m/s for DN25...100

- ① DN25
- ② DN40
- ③ DN50
- ④ DN65
- ⑤ DN80
- ⑥ DN100

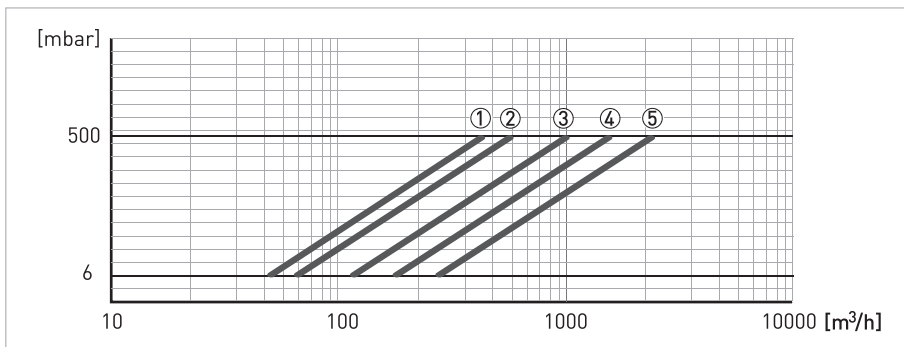


Figure 6-4: Pressure loss between 1 m/s and 9 m/s for DN125...300

- ① DN125
- ② DN150
- ③ DN200
- ④ DN250
- ⑤ DN300

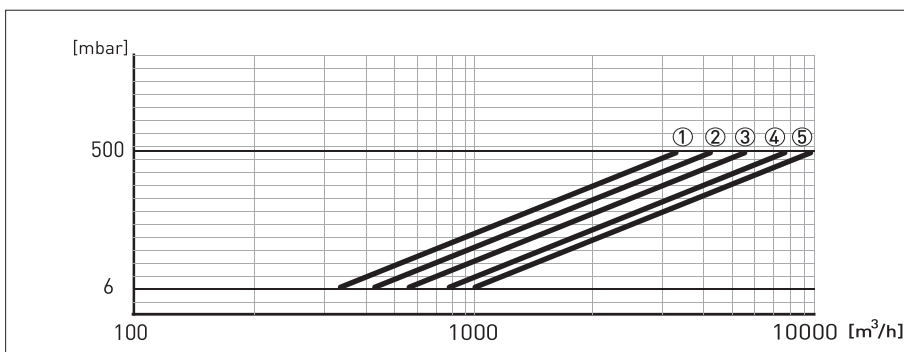


Figure 6-5: Pressure loss between 1 m/s and 9 m/s for DN350...600

- ① DN350
- ② DN400
- ③ DN450
- ④ DN500
- ⑤ DN600





KROHNE product overview

- Electromagnetic flowmeters
- Variable area flowmeters
- Ultrasonic flowmeters
- Mass flowmeters
- Vortex flowmeters
- Flow controllers
- Level meters
- Temperature meters
- Pressure meters
- Analysis products
- Products and systems for the oil & gas industry
- Measuring systems for the marine industry

Head Office KROHNE Messtechnik GmbH
Ludwig-Krohne-Str. 5
47058 Duisburg (Germany)
Tel.: +49 (0)203 301 0
Fax: +49 (0)203 301 10389
info@krohne.de

The current list of all KROHNE contacts and addresses can be found at:
www.krohne.com

KROHNE